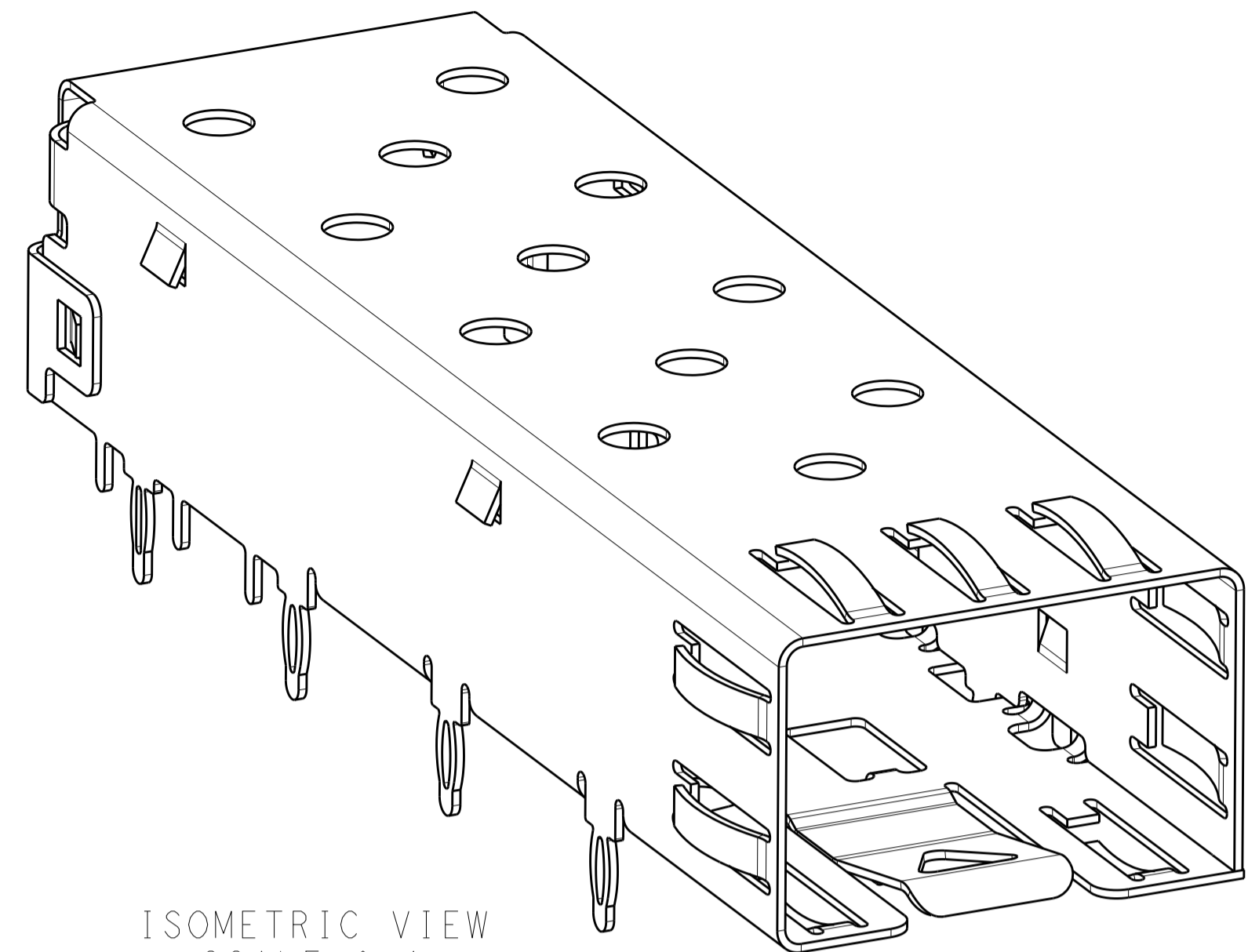
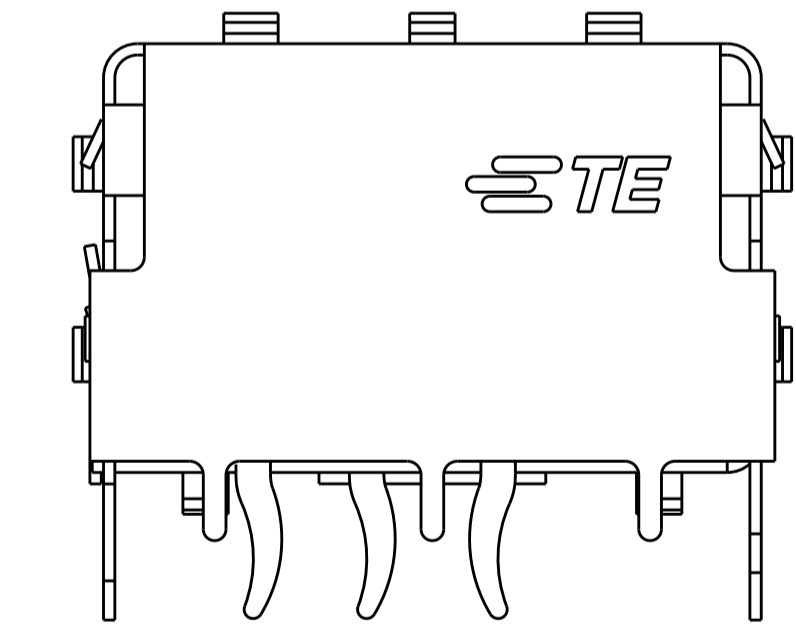
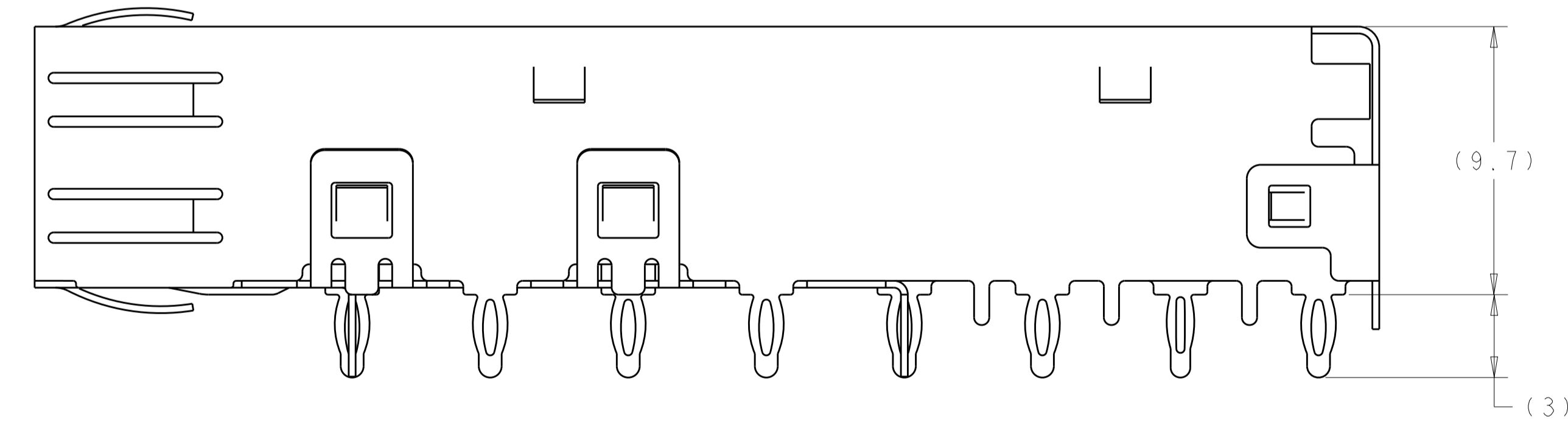
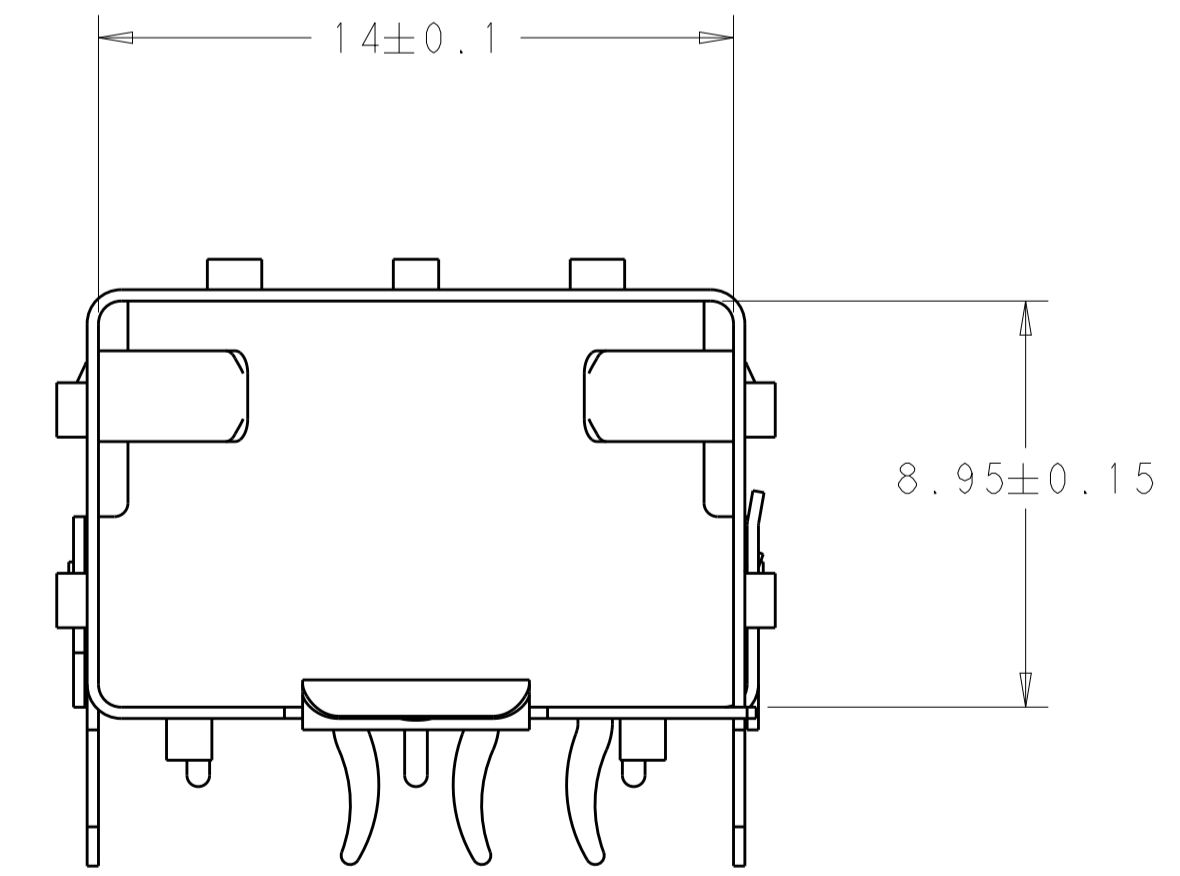
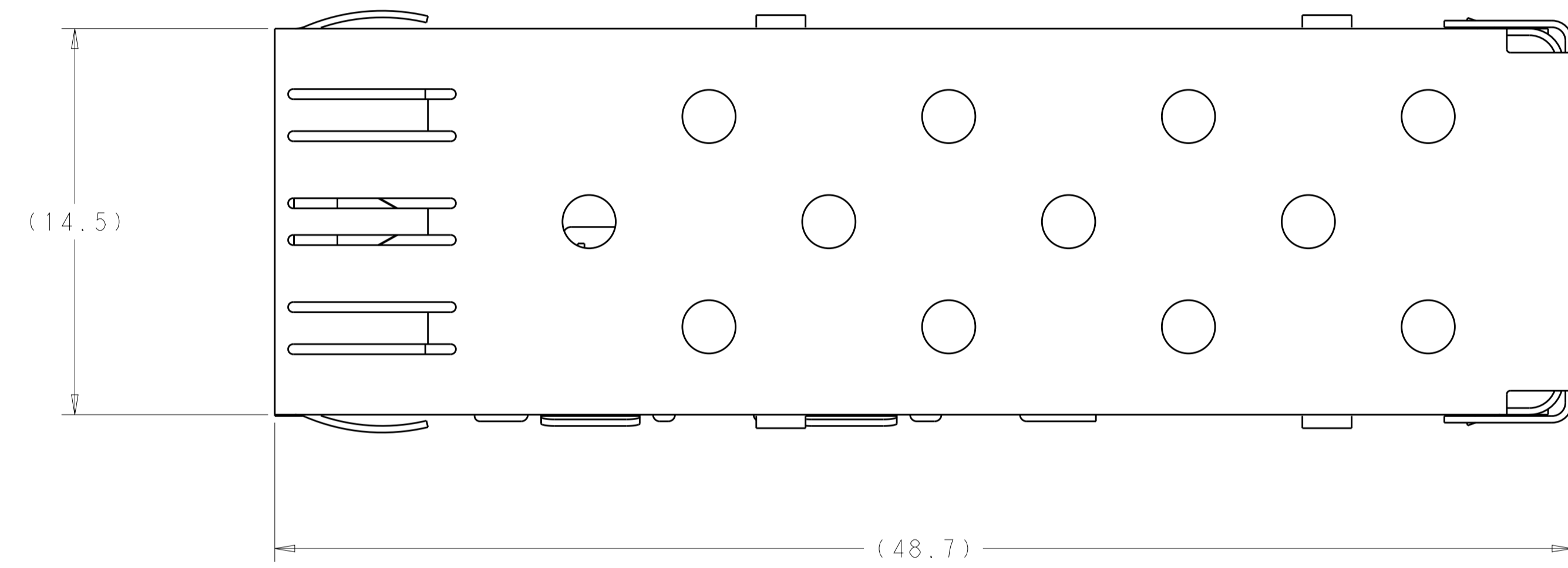


LOC	DIST	REVISIONS					
GP	00	P	LTN	DESCRIPTION	DATE	DWN	APVD
		A		INITIAL RELEASE	20MAY2014	JW	SH
		A1		REVISED PER ECO-15-000822	19JAN2015	JW	SH
		A2		REVISED PER ECO-16-014131	28SEP2016	JW	SH



ISOMETRIC VIEW
SCALE: 6:1

- 1 MATERIAL: 0.25mm THICK STAINLESS STEEL.
- 2 FINISH: 0.00125mm NICKEL OVER ALL, NON-PLATED EDGES PERMISSIBLE.
- 3. MATES WITH SFP MSA COMPLIANT TRANSCEIVERS.
- 4 PADS AND VIAS CHASSIS GROUND.
- 5 DATUM AND BASIC DIMENSION ESTABLISHED BY CUSTOMER.
- 6. MINIMUM PC BOARD THICKNESS:
 SINGLE SIDED = 1.50 mm
 DOUBLE SIDED = 3.00 mm
- 7 REFERENCE APPLICATION SPEC. 114-13120, HOLE A, FOR RECOMMENDED DRILL HOLE DIAMETER AND PLATING THICKNESS(EXCEPT IMMERSION SILVER PLATING).
- 8 REFERENCE APPLICATION SPEC. 114-13120, HOLE C, FOR RECOMMENDED DRILL HOLE DIAMETER AND PLATING THICKNESS(EXCEPT IMMERSION SILVER PLATING).
- 9. THE RECOMMENDED DIMENSIONS FOR HOLES ON PAGE 2/2 ARE NOT COMPATIBLE WITH IMMERSION SILVER PLATING HOLES BECAUSE OF OVERLARGE INSERTION FORCE.
- 10 ESD PROTECTION TRAY PACKAGE.



2227302-3
 2227302-1
 PART NUMBER

THIS DRAWING IS A CONTROLLED DOCUMENT. DIMENSIONING AND TOLERANCING PER ASME Y14.5M-2009		DWN C. VALENTINE 07NOV2012	TE Connectivity NAME SFP, 1X1 SINGLE PIECE CAGE, 11 PRESS FIT	
DIMENSIONS: mm		CHK M. SCHMITT 07NOV2012		
TOLERANCES UNLESS OTHERWISE SPECIFIED:		APVD M. SCHMITT 07NOV2012	PRODUCT SPEC	
0 PLC	±0.1	108-1950	APPLICATION SPEC	
1 PLC	±0.1	114-13120	RESTRICTED TO	
2 PLC	±0.1	WEIGHT	A100779C=2227302	
3 PLC	±0.1	Customer Drawing	SCALE 6:1 SHEET 1 OF 2 REV A2	
4 PLC	±0.1			
ANGLES	±°			
FINISH				

Mouser Electronics

Authorized Distributor

Click to View Pricing, Inventory, Delivery & Lifecycle Information:

[TE Connectivity:](#)

[2227302-1](#)